



OUTDOOR RENTAL & FIXED LED DISPLAY

RETOP LEX II SERIES

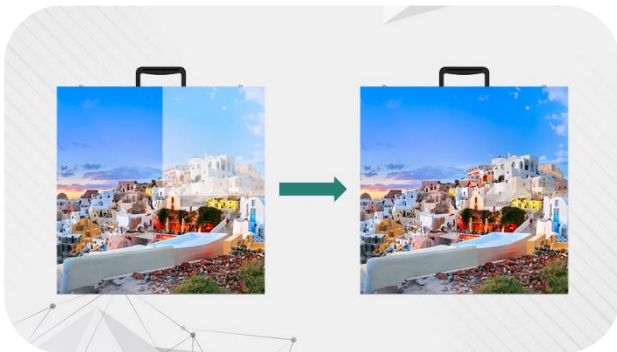


LEX II Series

Weight : 7.8kg (500x500mm)
14kg (500x1000mm)

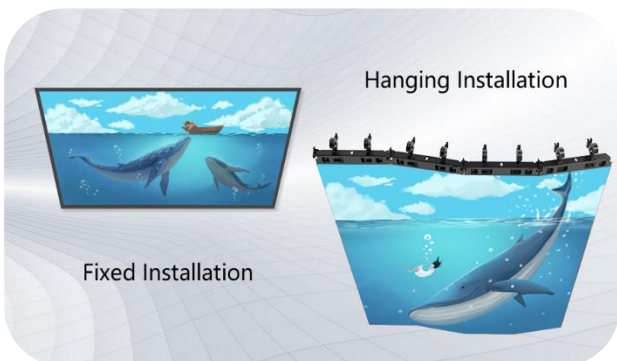
Ultra Light & Slim

65mm thick panel with a weight of 7.8/14kg, less expensive to transport and effortless to install.



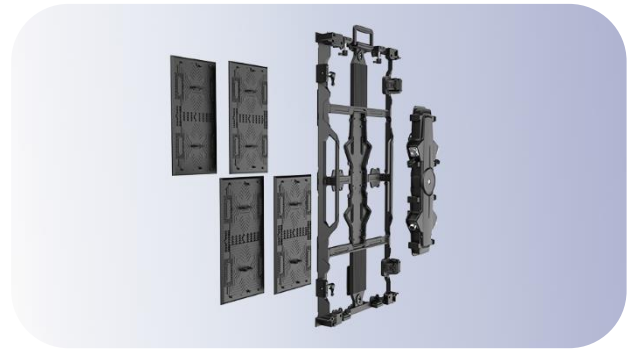
Smart Module

- Calibration data is pre-built in every module.
- Easy setting adaptation after module change or reset.



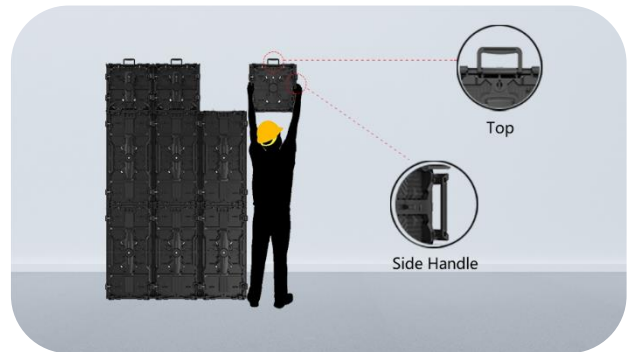
Rental & Fixed

The cabinet can be rented and fixed, self-developed arc lock design easily completes multiple curved seamless splicing.



Modular Design

- Modular design (cabinet frame, module, system power box) high integration can ensure high reliability.
- Module maintenance: 10S
- Power Box maintenance: 60S (front) / 10S (rear)



Quick Installation

The Lex II series installation is simple and fast, with handles on the top of the cabinet for easy transportation and handles on both sides for easy installation.



Front / Rear Maintenance

Optional front and rear maintenance achieve easy and time-saving operation.



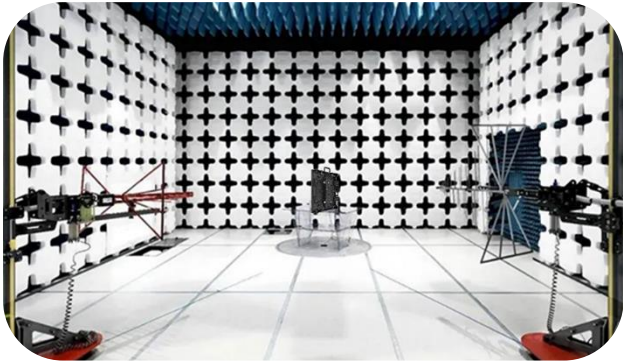
Flexible Solutions

The Lex II series cabinet can achieve customized 3D display solutions.



IP Protection Level

Waterproof grade IP65 for both front and rear side.



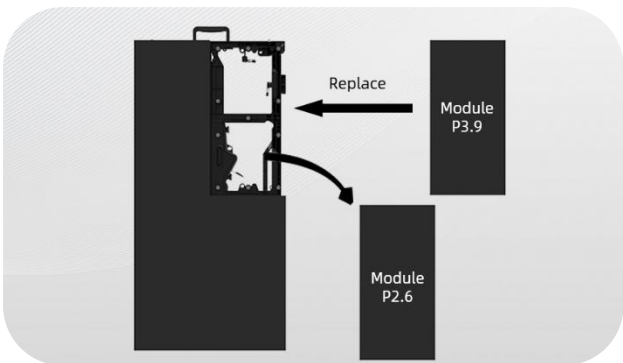
Electromagnetic Design

Comply with international electronic EMC standards, resist electromagnetic interference, and meet high standards and requirements for environment use.



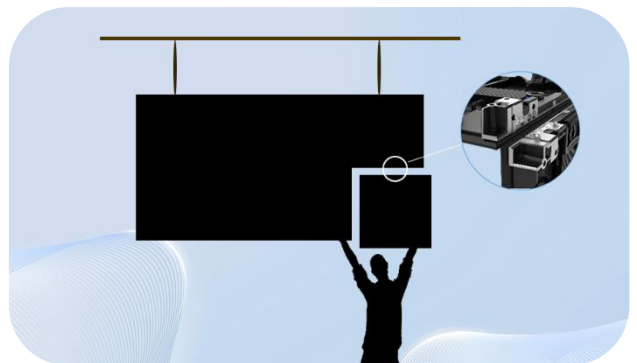
Support HDR Function (Optional)

Support HDR video playback, displaying more detailed picture dynamics, making the display screen lifelike.



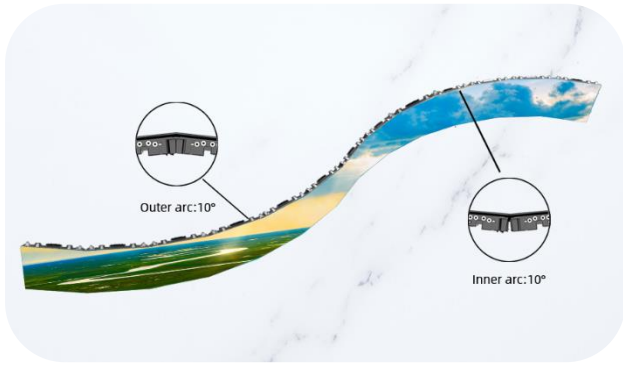
Universal Cabinet

General splicing of cabinets with different module sizes.



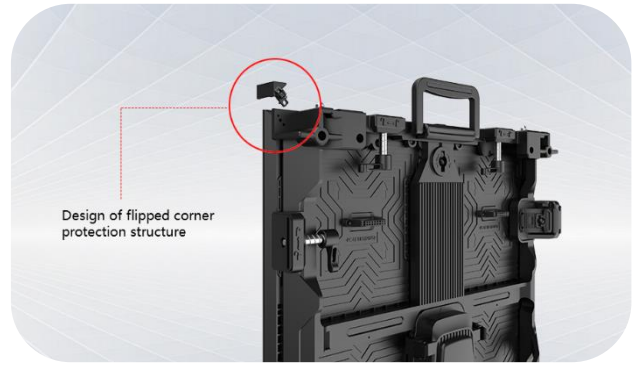
Easy Hoisting (Optional)

Single person operation, with a magnetic relay design between the top and bottom.



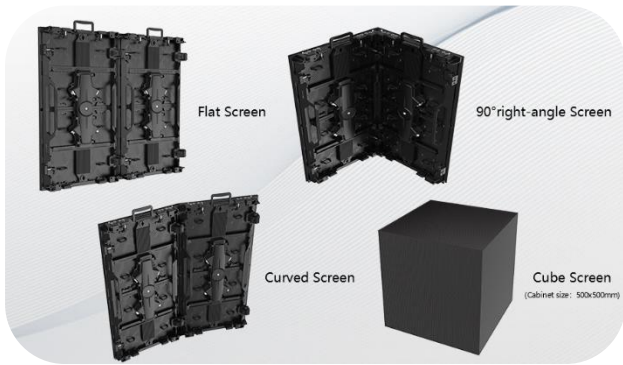
Radian Support

The radian can reach up to 10° , and there are five adjustable angles: -10° , -5° , 0° , 5° , and 10° .



Corner Protection Design

Cabinet corner protection design to prevent product being damaged.



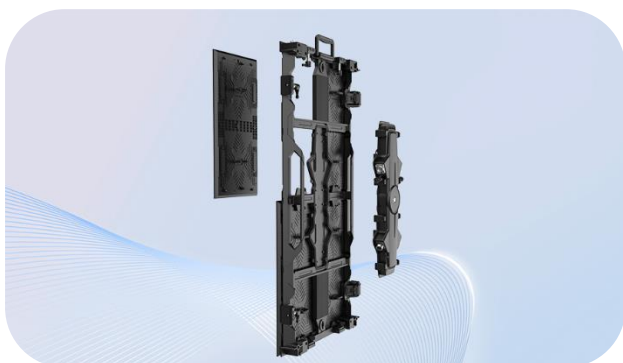
Multi-purpose Design

Flexible customization of cabinet size, supporting right angle and arc splicing, enabling more creative splicing possibilities.



Wide Viewing Angle 160°

Lex II series provide wider viewing angles and pixel-perfect imagery.



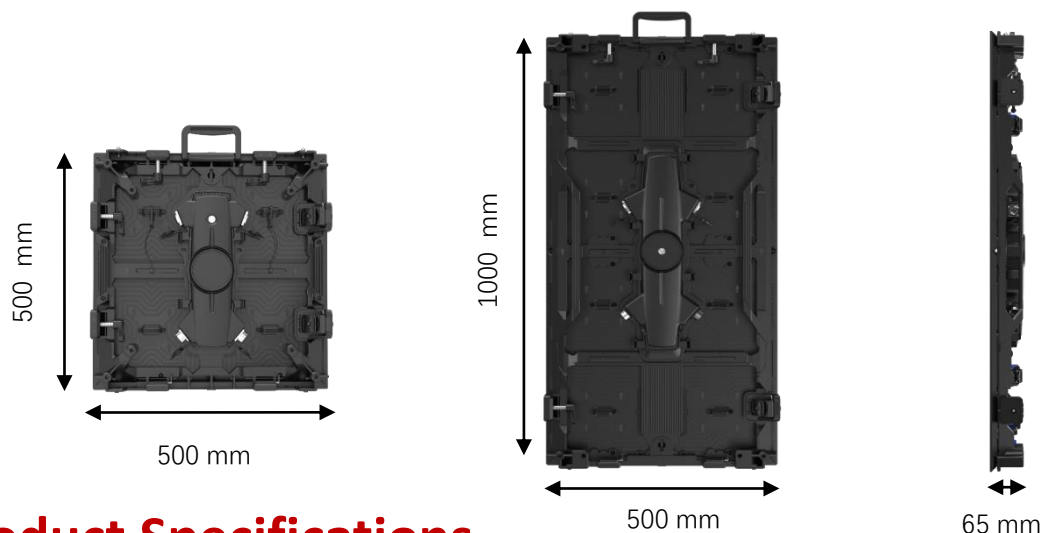
Quick Removal Design

- The central control system can be quickly disassembled and removed with bare hands.
- Integrated central control cabinet.



One Finger Lock

Locking is achieved by touching the upper and lower modules to achieve locking reinforcement.



Product Specifications

Product	P2.6	P2.9	P3.9	P4.8
Led Type	SMD 1415	SMD 1415	SMD 1921	SMD 1921
Pixel Pitch(mm)	2.6	2.976	3.9	4.8
Module Size (mm)	250×250	250×500	250×500	250×500
Cabinet Size (mm)	500 x 500 x 65	500 x 500 x 65 / 500 x 1000 x 65		
Weight (Kg)	7.8±5%	7.8±5% / 14±5%		
Brightness (Nit)	>5,000	>5,000	>5,500	>5,500
Max/Avg Power Consumption (W/m ²)	860 / 258	860 / 258	780 / 230	780 / 230
Refresh Rate (Hz)	3,840 Hz	3,840 Hz	3,840 Hz	3,840 Hz
Gray Scale (Bit)	14-16	14-16	14-16	14-16
Contrast Ratio	4,000 : 1	4,000 : 1	4,000 : 1	4,000 : 1
Scan method	1/32	1/21	1/16	1/13
Curve Support (-:concave +: convex) (°)	-10° ~ +10°	-10° ~ +10°	-10° ~ +10°	-10° ~ +10°
EMC	Class A	Class A	Class A	Class A
Viewing Angle (H/V)	160° / 140°	160° / 140°	160° / 140°	160° / 140°
Operating Temp/Humidity	-20 - 50°C / 10% - 80%			
Storage Temp/Humidity	-30 - 60°C / 10% - 90%			
IP Rating (Front/Rear)	IP65	IP65	IP65	IP65
Service Ability	Front / Rear	Front / Rear	Front / Rear	Front / Rear

Applications



Exhibition



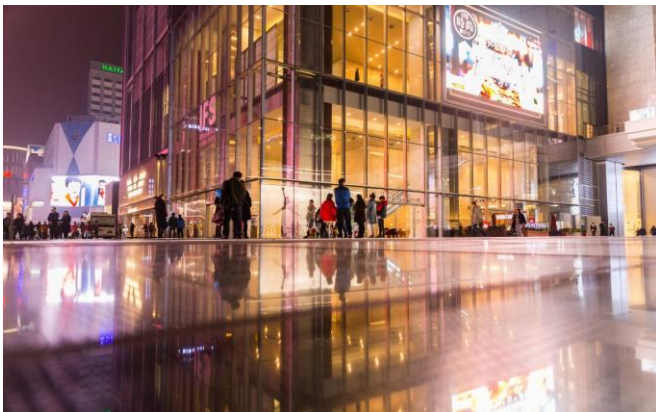
Conference



High-end Clubhouse



Concert & Live Events



Shopping Mall



Commercial Activities