



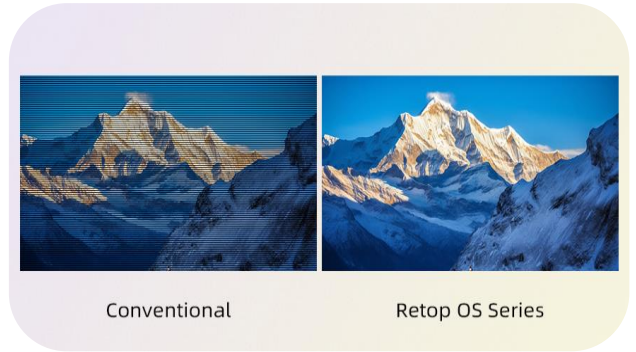
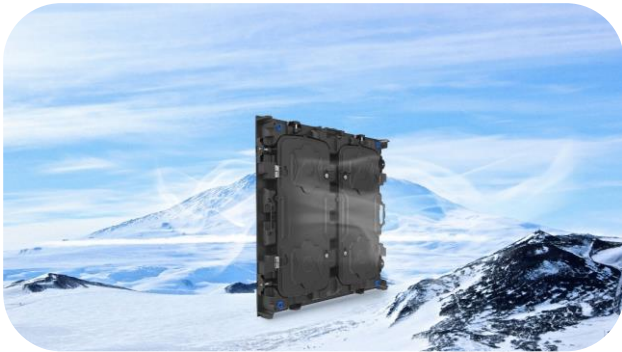
OUTDOOR FIXED LED DISPLAY

RETOP OS SERIES

Ultra Light & Slim



100mm thick panel with a weight of 13/30kg, less expensive to transport and effortless to install.

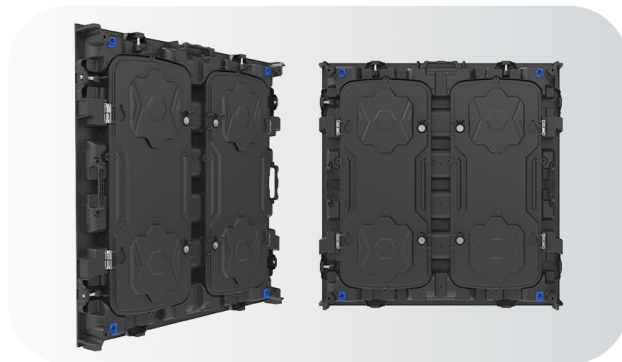


Environmentally Cooled Design

The OS series doesn't require fans but instead dissipates heat convectively to keep the screen within safe operating parameters while consuming less power.

High Refresh Rate

Effectively reduce image flickering and jitter, reduce eye fatigue, and make users more comfortable when viewing the screen.



Die-cast Magnesium Cabinet

High strength die casting magnesium-aluminium alloy cabinet, to ensure high strength of product and excellent flatness of screen as well.

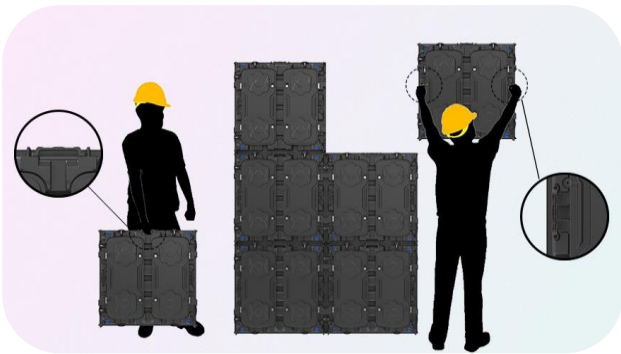
Energy-saving

Apply high efficiency with 90% ultra-long life power supply. Improve the utilization of electrical energy.

IP 65 High Protection



IP65 waterproof cabinet with excellent protection to withstand extreme weather conditions.



Quick Installation

The OS series installation is simple and fast, with handles on the top of the cabinet for easy transportation and handles on both sides for easy installation.



Sturdy & Durable

It is suitable for the installation and use of high salt fog, high corrosion, rainy and humid areas.

Fast & Reliable Installation



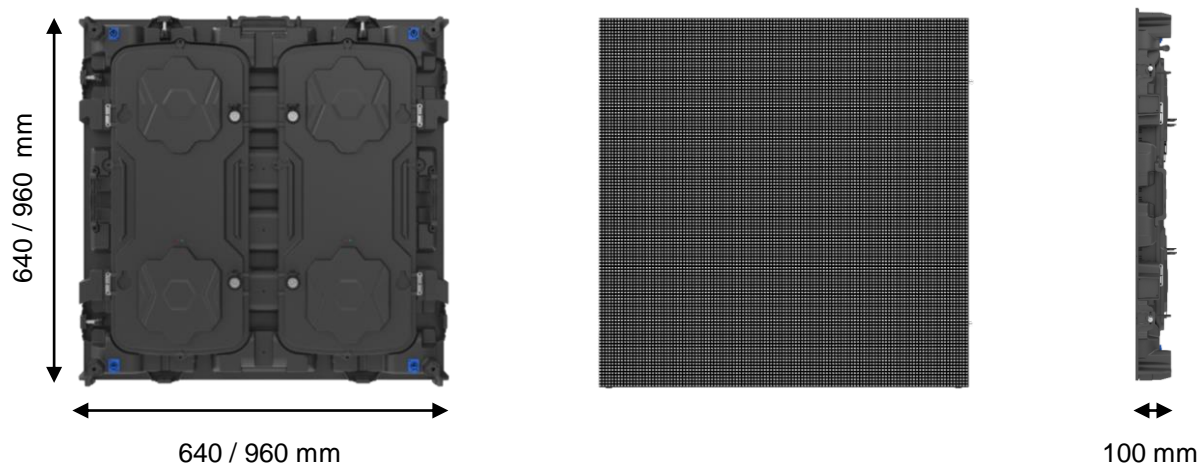
Fast Locking

The cabinet is equipped with a quick-install lock, allowing for quick connection and fixation between left and right, up and down.



Aviation Plug Design

The power transmission adopts aviation plug design, which is convenient, stable, and reliable for connection.



Product Specifications

Product	P2.5	P3	P4	P5	P6.6	P8	P10
Led Type	SMD1415	SMD1415	SMD1921	SMD 1921/2727	SMD2727	SMD 2727/3535	SMD 2727/3535
Pixel Pitch(mm)	2.5	3.076	4	5	6.67	8	10
Module Size (mm)	320×160						
Cabinet Size (mm)	640 x 640 x 100			960 x 960 x 100			
Weight (Kg)	13±5%			30±5%			
Brightness (Nit)	> 5,000			> 5,500			
Max Power Consumption (W/m ²)	860	860	800	800	780	780	780
Avg Power Consumption (W/m ²)	280	280	260	260	250	250	250
Refresh Rate (Hz)	1,920-3,840						
Gray Scale (Bit)	13-14						
Cabinet Material	Aluminum Diecasting						
Viewing Angle (H/V)	140° / 120°						
IP Rating	IP 65						
Service Ability	Rear						

Applications



Shopping Mall



Sports



Billboard



Gas Station



Commercial



Landmark